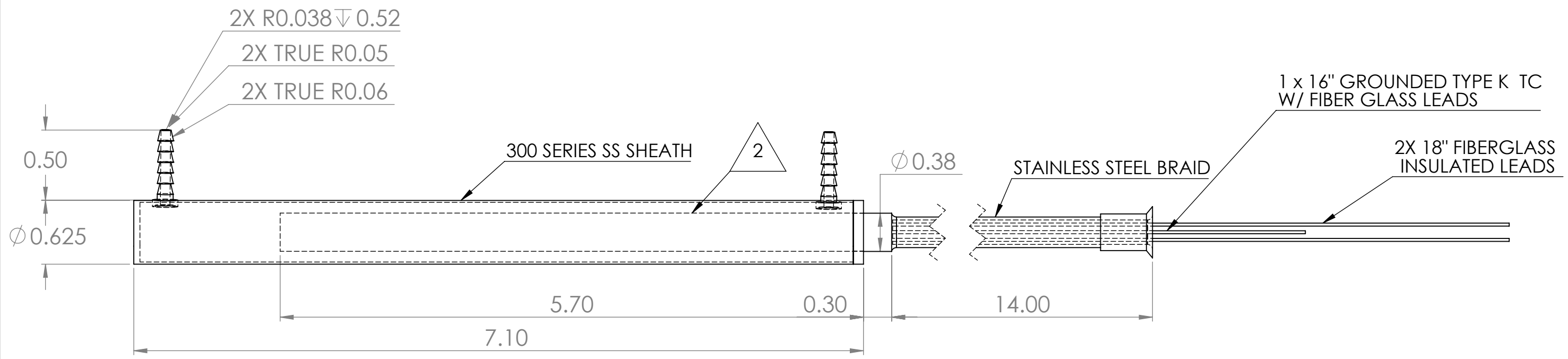


REVISIONS		
REV.	DESCRIPTION	DATE
2	650 W COILED CABLE HEATER REPLACED WITH 500 W CARTRIDGE HEATER	5/24/2019



- NOTE:**
- HEATER SPECIFICATIONS: 500 W, 120 V, 97 WSI WITH BUILT IN GROUNDED TYPE K TC
 - DO NOT POWER ON WITHOUT SUFFICIENT LIQUID FLOW**

UNLESS OTHERWISE SPECIFIED:
 DIMENSIONS ARE IN INCHES
 TOLERANCES:
 FRACTIONAL $\pm 1/32$
 ANGULAR: MACH ± 1.0 BEND ± 2.0
 TWO PLACE DECIMAL ± 0.01
 THREE PLACE DECIMAL ± 0.005

PROPRIETARY AND CONFIDENTIAL
 THE INFORMATION CONTAINED IN THIS DRAWING IS THE SOLE PROPERTY OF BELILOVE COMPANY ENGINEERS (BCE). ANY REPRODUCTION IN PART OR AS A WHOLE WITHOUT THE WRITTEN PERMISSION OF BELILOVE COMPANY ENGINEERS (BCE) IS PROHIBITED.

INTERPRET GEOMETRIC TOLERANCING PER:
 MATERIAL SEE DWG
 FINISH N/A
 DO NOT SCALE DRAWING



TITLE:
SMART FLOW HEATER
500 W 120 V

SIZE	DWG. NO.	REV
B	BCE10527	2
SCALE: NTS		SHEET 1 OF 1